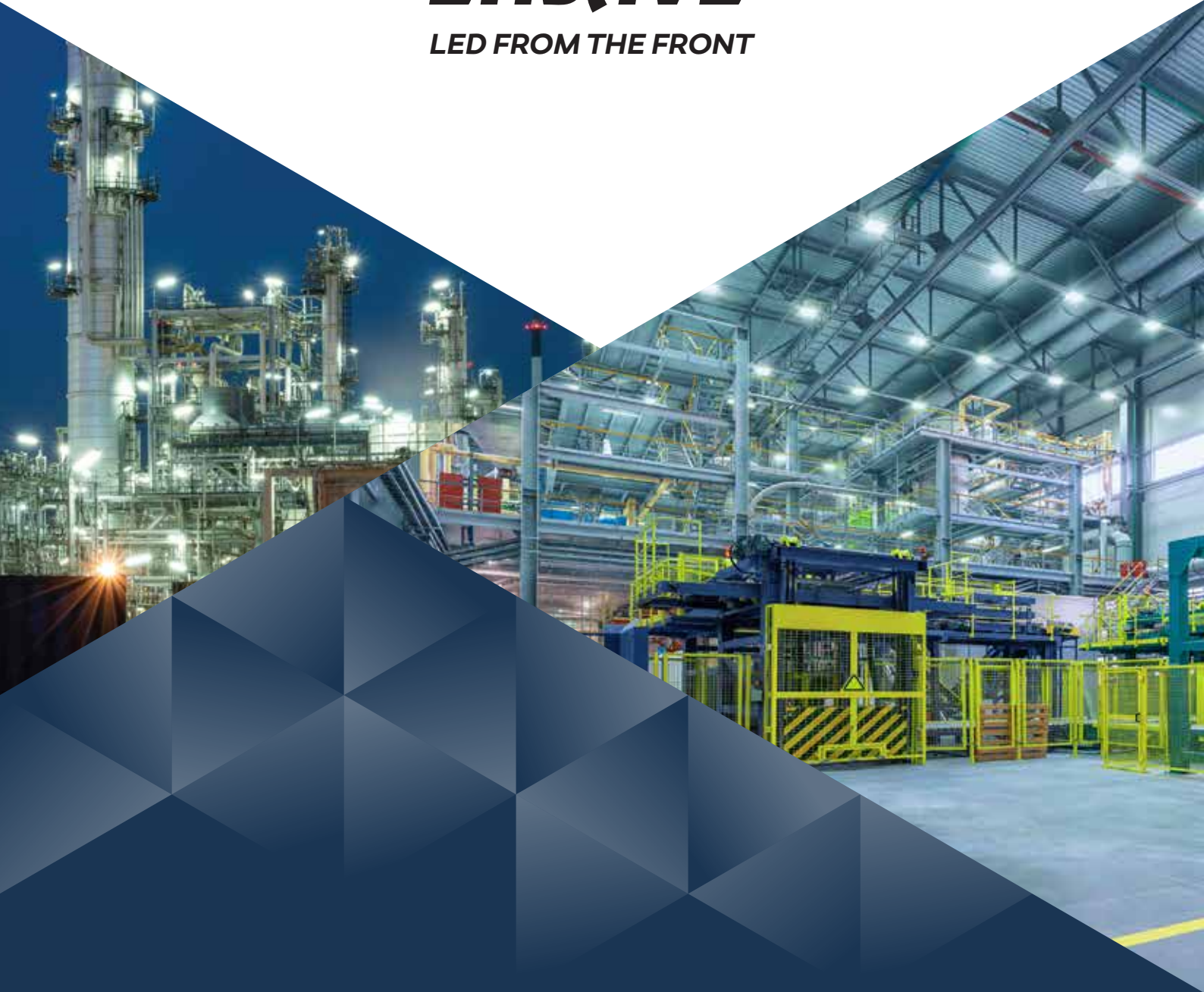
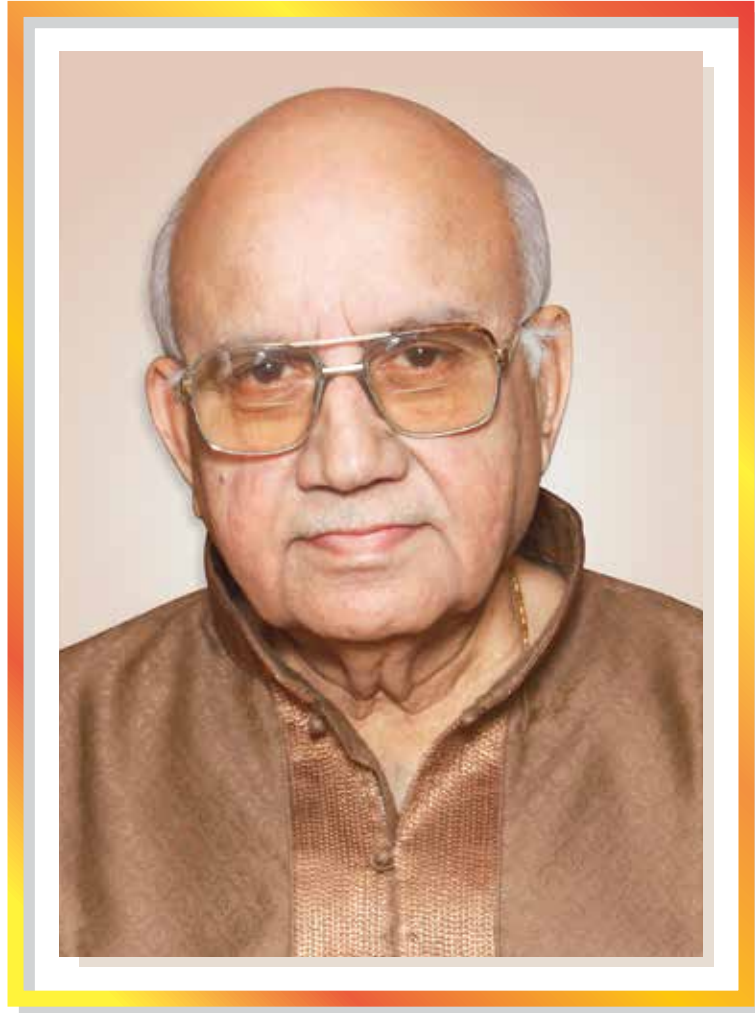
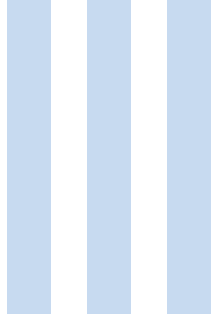




ENSAVE
LED FROM THE FRONT



INDUSTRIAL LIGHTING
L E D P R O D U C T R A N G E

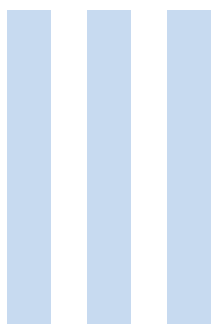


Late. Shri G. Arvind Rao



Founder

Evergreen Group of Companies



ENSAVE



ENSAVE, a brand of the Evergreen Group of companies, has been a leading LED luminaire manufacturer in India for over 50 years and engaged in lighting solutions for the complete urban space and beyond. Futuristic, energy-efficient and custom-built LED lighting products are our hallmark across various applications such as offices, industrial, street lighting, large stadium lighting for sports and outdoor landscape lighting. We also, are one of the major lighting partners for the Indian Railways with our coach lighting, LED head lighting, and fog lighting applications.

ENSAVE, represents the simplest and most reliable path to customised and sustainable lighting solutions. All our products are designed to actually deliver to you our brand promise – **LED FROM THE FRONT!**

ENSAVE is poised to meet the high standards of its customers for high quality and reliable LED lighting products and is in a position to meet customers' needs, small and big.





INDUSTRIAL LIGHTING

ALBY 31

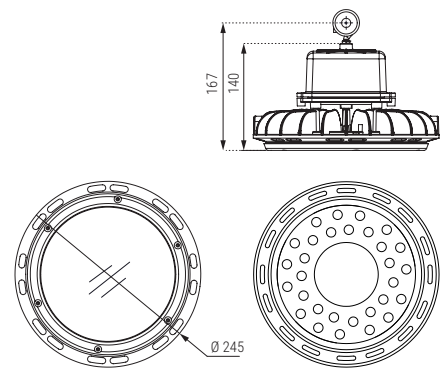
LED Highbay

80W/100W



High performance LED Highbay luminaire, in die cast aluminium housing. Luminaire has been designed to illuminate large areas, has a wide dispersion, and is environment friendly, and available in glass and IP lens version.

Dimensional Drawing



MOUNTING: Pendant Eye Bolt

Applications



Workshops



Industrial Sheds



Factories

Electrical Specifications

	(IS) Wattage	Input Voltage (V)	Frequency (Hz)	Operating Voltage Range (V)	Current (A) @ 240V	Power Factor	Driver Efficiency	Surge Protection
ALBY 31-80W(57)LP	80W	240	50	120 - 277	0.300	≥0.95	>85%	10 KV
ALBY 31-100W(57)LP	100W	240	50	120 - 277	0.375	≥0.95	>85%	10 KV

System Efficacy Available: 110, 120, 130, 150

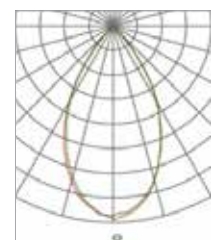
Driver: Constant current / over voltage / under voltage and 440V protection

Product Weight: 2.50 Kg approx. Weight with glass: 3.00 Kg

Optical Parameters

CRI	≥ 70
Ingress Protection	IP 66
Operating Temperature	(-)10°C to (+)50°C
Colour Temperature	5700 K (Typical)
Beam Angle	Integrated lens plate 60° and 90°
External Surge	10KV-5KA

Polar Diagram



ALBY 41

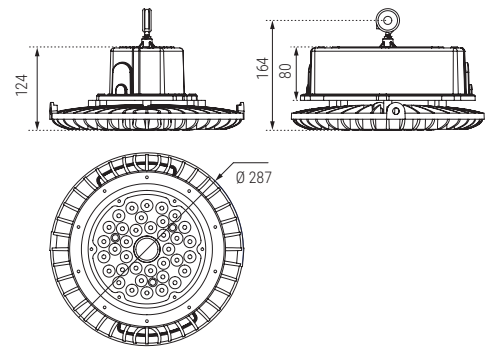
LED Highbay

120W/150W



High performance LED Highbay luminaire, in die cast aluminium housing. Luminaire has been designed to illuminate large areas. The optics choice permits designer to optimise the design for user satisfaction. It's environment friendly, and available IP lens version. Also available in EFO version.

Dimensional Drawing



MOUNTING: Pendant Eye Bolt

Applications



Workshops



Industrial Sheds



Factories

Electrical Specifications

	AC Wattage	Input Voltage (V)	Frequency (Hz)	Operating Voltage Range (V)	Current (A) @ 240V	Power Factor	Driver Efficiency	Surge Protection
ALBY 41-120W(57)LP	120W±10%	240	50	120 - 277	0.450 - 0.550	≥0.95	>85%	10 KV
ALBY 41-150W(57)LP	150W±10%	240	50	120 - 277	0.562 - 0.687	≥0.95	>85%	10 KV

System Efficacy Available: 110, 120, 130, 150

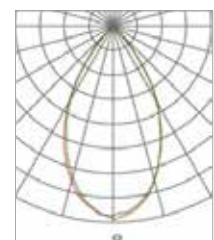
Driver: Constant current / over voltage / under voltage and 440V protection

Product Weight: 3.80 Kg approx.

Optical Parameters

CRI	≥ 70
Ingress Protection	IP 66
Operating Temperature	(-)10°C to (+)50°C
Colour Temperature	5700 K (Typical)
Beam Angle	Integrated lens plate 60° and 90°
External Surge	10KV-5KA

Polar Diagram



ALBY 51

LED Highbay

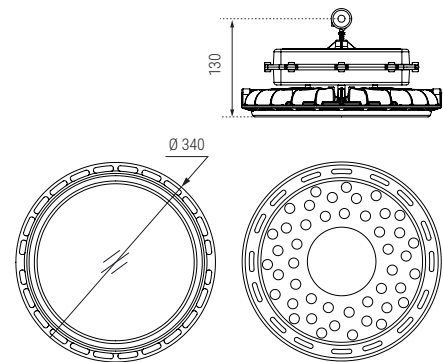
180W/200W

120W/150W in GL Version



LED Highbay luminaire, in die cast aluminium housing. Luminaire has been designed to illuminate large areas. Suitable for very high level stacking areas. It's environment friendly, and available in glass and IP Lens version.

Dimensional Drawing



MOUNTING: Pendent Eye Bolt

Applications



Workshops



Industrial Sheds



Factories

Electrical Specifications

	AC Wattage	Input Voltage (V)	Frequency (Hz)	Operating Voltage Range (V)	Current (A) @ 240V	Power Factor	Driver Efficiency	Surge Protection
ALBY 51-120W(57)LP	120W±10%	240	50	140 - 305	0.450 - 0.550	≥0.95	>85%	10 KV
ALBY 51-150W(57)LP	150W±10%	240	50	140 - 305	0.562 - 0.687	≥0.95	>85%	10 KV
ALBY 51-180W(57)LP	180W±10%	240	50	140 - 305	0.675 - 0.825	≥0.95	>85%	10 KV
ALBY 51-200W(57)LP	200W±10%	240	50	140 - 305	0.750 - 0.916	≥0.95	>85%	10 KV

System Efficacy Available: 110, 120, 130, 150

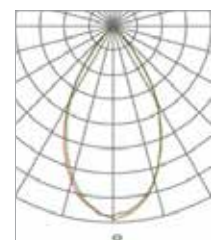
Driver: Constant current / over voltage / under voltage and 440V protection

Product Weight: 4.00 Kg approx. Weight with glass: 4.50 Kg

Optical Parameters

CRI	≥ 70
Ingress Protection	IP 66
Operating Temperature	(-)10°C to (+)50°C
Colour Temperature	5700 K (Typical)
Beam Angle	Integrated lens plate 60° and 90°
External Surge	10KV-5KA

Polar Diagram





ALBY 11

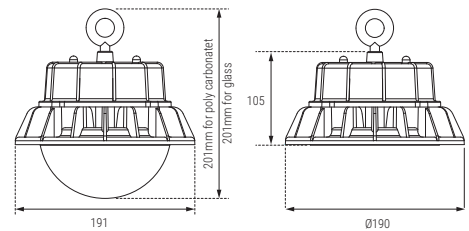
LED Wellglass

30W/36W/40W/45W/60W



LED Wellglass luminaire, having aluminum die cast housing, for excellent thermal management. Available in Clear & Frosted Polycarbonate/Glass version. Also available in CCT of 3000K and 4000K on request. Flat glass version also available, as Low Bay 60 Watt.

Dimensional Drawing



MOUNTING: Pendant Eye Bolt

Applications



Workshops



Industrial Sheds



Factories

Electrical Specifications

	(IS) Wattage	Input Voltage (V)	Frequency (Hz)	Operating Voltage Range (V)	Current (A) @ 240V	Power Factor	Driver Efficiency	Surge Protection
ALBY 11-30W(57)PC	30W	240	50	120 - 277	0.112	≥0.95	>85%	10 KV
ALBY 11-36W(57)PC	36W	240	50	120 - 277	0.135	≥0.95	>85%	10 KV
ALBY 11-40W(57)PC	40W	240	50	120 - 277	0.150	≥0.95	>85%	10 KV
ALBY 11-45W(57)PC	45W	240	50	120 - 277	0.168	≥0.95	>85%	10 KV
ALBY 11-60W(57)PC	60W	240	50	120 - 277	0.250	≥0.95	>85%	10 KV

System Efficacy Available: 100, 110, 120

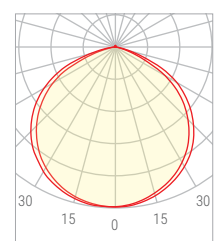
Driver: Constant current / over voltage / under voltage and 440V protection

Product Weight: 1.00 Kg approx. (with PC), 1.20 Kg (with glass)

Optical Parameters

CRI	≥ 70
Ingress Protection	IP 66
Operating Temperature	(-)10°C to (+)50°C
Colour Temperature	5700 K (Typical)
External Surge	10KV-5KA

Polar Diagram



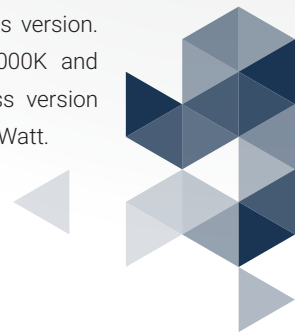
ALBY 21

LED Wellglass

70W/80W/90W/100W



LED Wellglass luminaire, having aluminum die cast housing, for excellent thermal management. Available in Clear & Frosted Polycarbonate/Glass version. Also available in CCT of 3000K and 4000K on request. Flat Glass version also available, as Low Bay 60 Watt.



Applications



Workshops

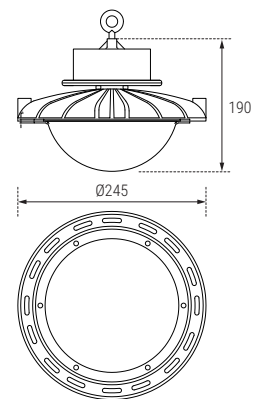


Industrial Sheds



Factories

Dimensional Drawing



MOUNTING: Pendant Eye Bolt

Electrical Specifications

	(IS) Wattage	Input Voltage (V)	Frequency (Hz)	Operating Voltage Range (V)	Current (A) @ 240V	Power Factor	Driver Efficiency	Surge Protection
ALBY 21-70W(57)PC	70W	240	50	120 - 277	0.262	≥0.95	>85%	10 KV
ALBY 21-80W(57)PC	80W	240	50	120 - 277	0.300	≥0.95	>85%	10 KV
ALBY 21-90W(57)PC	90W	240	50	120 - 277	0.375	≥0.95	>85%	10 KV
ALBY 21-100W(57)PC	100W	240	50	120 - 277	0.416	≥0.95	>85%	10 KV

System Efficacy Available: 100, 110, 120

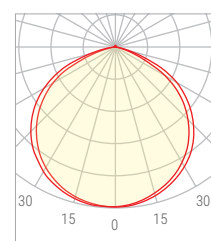
Driver: Constant current / over voltage / under voltage and 440V protection

Product Weight: 3.00 Kg approx.

Optical Parameters

CRI	≥ 70
Ingress Protection	IP 66
Operating Temperature	(-)10°C to (+)50°C
Colour Temperature	5700 K (Typical)
External Surge	10KV-5KA

Polar Diagram





ENSAVE uses, the latest engineering design methodologies and manufacturing processes to ensure that all its products conform or exceed the stated product specifications.

Evergreen has state-of-the-art electronics, lighting and product evaluation labs. The group has very high level of backward integration in its manufacturing facilities including captive pressure die casting, powder coating, sheet metal, fabrication, electronic assemblies for LED drivers etc.



Electronics Shop Floor



Reflow Oven



IP Testing



Dust Chamber



Driver 440V Test



THB Tester



Integrating Sphere



Gonio Meter





Evergreen Engineering Co Pvt. Ltd.

Corporate Office: 35-B, Mahal Industrial Estate,
Mahakali Caves Road, Andheri (East), Mumbai 400 093, India.
Tel.: 022-26878877, 022-61235151
Email: contact@evggroup.com

Factory: Plot No. 9,10,16,17, Survey No. 242, Chinchpada,
Village Gokhivare, Vasai (East), Dist. Palghar 401 208.
Maharashtra. Tel.: 87930 91581-590
Email: ensave@evggroup.com